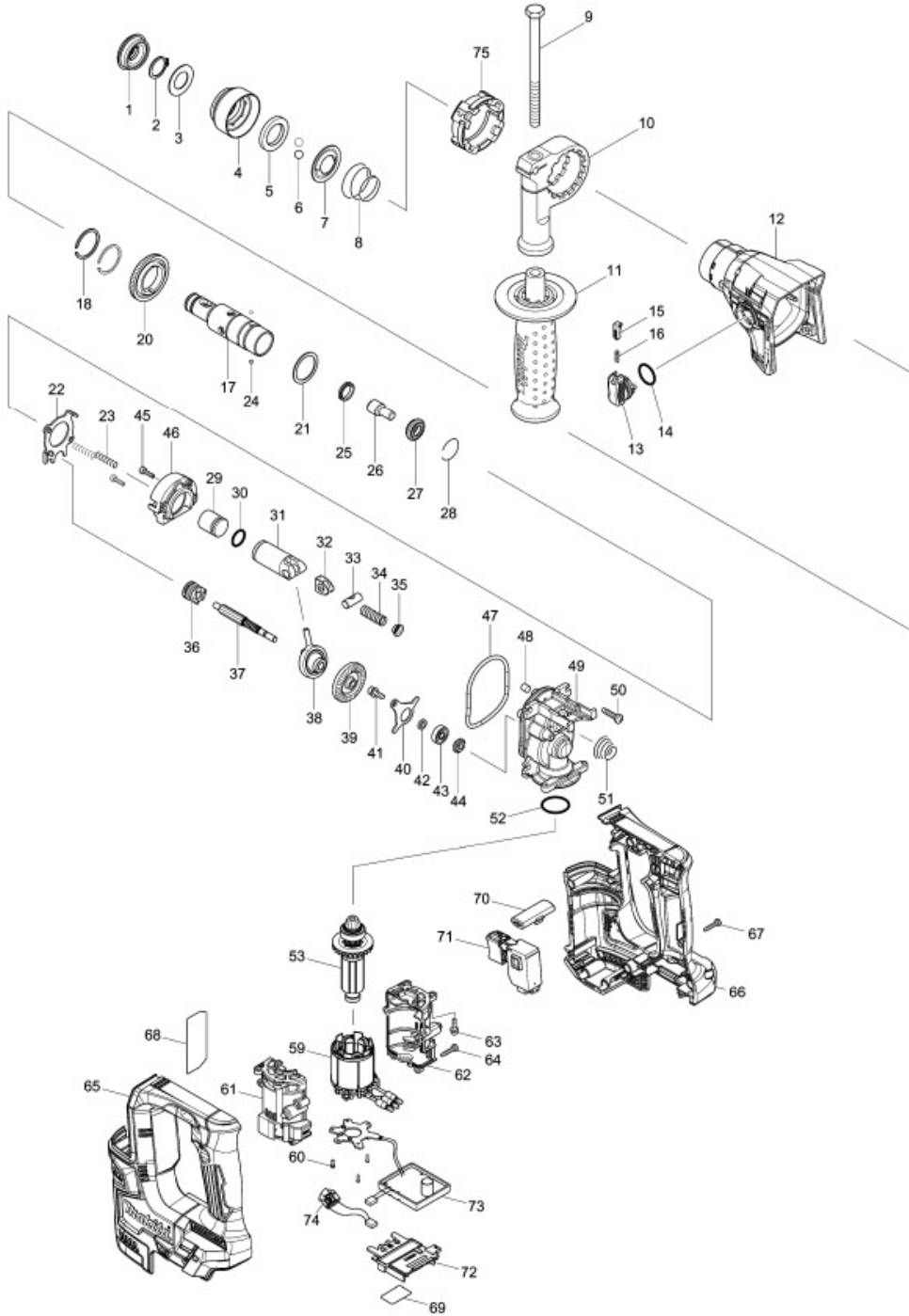


Part Diagram

Model No.DHR171 17MM CORDLESS ROTARY HAMMER



Item	Sub	Parts No.	Parts Description	Qty
1		286037-3	CAP 34	1
2		961057-5	RETAINING RING S-17	1
3		253377-4	FLAT WASHER 17	1
4		457214-6	CHUCK COVER	1
5		257416-2	RING 21	1
6		216022-2	STEEL BALL 7.0	2
7		346177-0	GUIDE WASHER	1
8		232347-6	CONICAL COMP. SPRING 21-29	1
9		921923-8	HEX. BOLT M8X120	1
10		417911-6	GRIP BASE	1
11		158057-6	GRIP 36 COMPLETE	1
11	C10	931402-8	HEX. NUT M8	1
12		144218-4	GEAR HOUSING COMPLETE	1
12	C10	211375-4	BALL BEARING 6805LLB	1
12	C20	213788-5	OIL SEAL 25	1
13		161569-0	CHANGE LEVER COMPLETE	1
14		213278-8	O RING 17	1
15		161568-2	LOCK BUTTON COMPLETE	1
16		232344-2	COMPRESSION SPRING 3	1
17		326841-9	TOOL HOLDER	1
18		961135-1	RETAINING(EXT) WR-25	2
20		221483-3	SPUR GEAR 57	1
21		267175-0	FLAT WASHER 24	1
22		161570-5	CHANGE PLATE COMPLETE	1
23		233194-8	COMPRESSION SPRING 4	2
24		216019-1	STEEL BALL 3	2
25		213183-9	X RING 13	1
26		326843-5	IMPACT BOLT	1
27		326842-7	RING 10	1
28		232343-4	RING SPRING 23	1
29		327007-4	STRIKER	1
30		213128-7	O RING 12	1
31		319510-9	PISTON CYLINDER	1
32		347101-6	GUIDE PLATE	1
33		326846-9	PISTON JOINT	1
34		232346-8	COMPRESSION SPRING 8	1
35		347102-4	SPRING GUIDE	1
36		326845-1	CLUTCH CAM	1
37		221482-5	SPUR GEAR 8	1
38		219026-3	SWASH BEARING 6	1
39		221481-7	SPIRAL BEVEL GEAR 37	1
40		347100-8	BEARING RETAINER	1
41		266273-7	HEX. SOCKET HEAD BOLT M4X12	1
42		257415-4	RING 5	1
43		210065-6	BALL BEARING 625ZZ	1
44		326847-7	RING 5	1
45		265910-0	HEX. SOCKET HEAD BOLT M3X12	2
46		144219-2	INNER SUPPORT COMPLETE	1
47		213092-2	O-RING 60	1
047-1		213889-9	O-RING 58	1
48		443138-2	FILTER	1
49		319508-6	INNER HOUSING	1
049-1		140N37-0	INNER HOUSING COMPLETE	1
50		265995-6	TAPPING SCREW 4X18	4
51		232345-0	CONICAL COMP. SPRING 8-19	1
52		213008-7	O RING 22.4	1
53		619421-1	ROTOR	1
053-1		619421-1	ROTOR	1

Item	Sub	Parts No.	Parts Description	Qty
59		629283-9	STATOR	1
60		266490-9	TAPPING SCREW PT 2X6	3
61		183G09-0	MOTOR CASE SET	1
61	D10		INC. 62	
62		183G09-0	MOTOR CASE SET	1
62	D10		INC. 61	
63		251510-2	H. S. HEAD BOLT M3X12 WITH WRM	4
64		266130-9	TAPPING SCREW BIND PT 3X16	4
65		183H25-8	HOUSING SET	1
65	C10	252126-6	HEX. LOCK NUT M4-7	2
65	C20	262182-8	RUBBER RING 6	2
65	C30	263005-3	RUBBER PIN 6	2
65	D10		INC. 66	
66		183H25-8	HOUSING SET	1
66	C10	252126-6	HEX. LOCK NUT M4-7	2
66	C20	262182-8	RUBBER RING 6	2
66	C30	263005-3	RUBBER PIN 6	2
66	D10		INC. 65	
67		266130-9	TAPPING SCREW BIND PT 3X16	9
68		853R59-2	DHR171 NAME PLATE	1
69		853R80-1	DHR171 SERIAL NO. LABEL	1
70		457210-4	F/R CHANGE LEVER	1
71		650689-0	SWITCH C3JW-2B	1
72		643874-2	TERMINAL	1
73		620746-8	CONTROLLER	1
74		620747-6	LED CIRCUIT	1
A01		415486-9	DEPTH GAUGE	1
A03B		821551-8	CONNECTOR PLASTIC CASE (TYPE3)	1
A03B	C10	453974-8	LATCH	4
A03		821731-6	PLASTIC CASE	1
A03C	C10	162302-3	LATCH	2
A04B		813S40-1	DHR171RTJ PLASTIC CASE LABEL	2
A04C		819T47-1	DHR171RFE PLASTIC CASE LABEL	2
A04D		819T48-9	DHR171RTE PLASTIC CASE LABEL	2
A05B		813S36-2	DHR171RTJ INDICATION LABEL	1
A06B		839387-1	INNER TRAY	1
A07		450128-8	BATTERY COVER	1
A08		***DC18RC	DC18RC FAST CHARGER	1
A09		197280-8	BATTERY BL1850B SET	2
A09C		197600-6	BATTERY BL1830B SET	2
A09-1		197280-8	BATTERY BL1850B SET	2
A09-1C		197600-6	BATTERY BL1830B SET	2
B01		198564-7	HAMMER SERVICE KIT	1
B01	C10	195127-0	OIL VESSEL SET	1
B01	D10		INC. 1,2,6,25,28,30	
E01		818S14-7	CLEAR LABEL	1